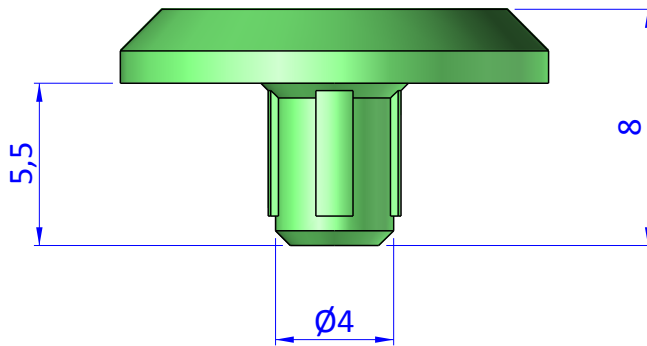
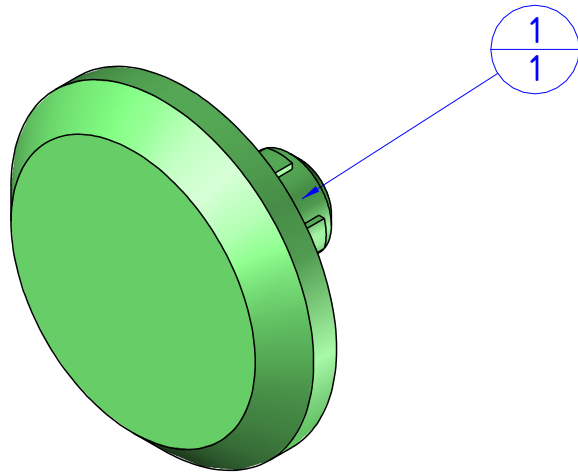

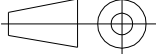


Item	Name	Qty.
1	PPS.2010.07.V	1



THE PROPERTY OF THE DRAWING IS ESTABLISHED BY LAW. IT IS FORBIDDEN TO PRODUCE OR SHOW IT TO THIRD PART. WITHOUT A WRITTEN AGREEMENT.

Format A4 UNI 936-76					DESIGNED FROM FPS Automation	REVIEW A
	GENERAL TOLERANCE UNI - ISO 2768 CLASSE f		DESCRIPTION PPS.2010.07.V		DATE 29/07/2019	WEIGHT 0,001kg
					CODE PPS.2010.07.V	